

450AJ

ARTICULATING BOOM LIFT



Performance

Platform Height	13.72 m
Working Height	15.72 m
Horizontal Outreach	7.62 m
Up and Over Height	7.3 m
Weight	6,450 kg
Swing	355 Degrees Non-Continuous
Platform Capacity	250 kg
Platform Size	0.76 x 1.83 m
Platform Rotator	180 Degrees Hydraulic
Jib	1.24 m
Range of Articulation	144 degrees (+76, -69)
Drive Speed	5.95 km/hr
Gradeability	45%
Turning Radius	
Inside	2.06 m
Outside	4.78 m

Standard Specifications

Power

Diesel Engine	Deutz D2011L03 Tier 4i (interim)
Fuel Tank Capacity	64 L

Hydraulic System

Tank Capacity	136.27 L
System Capacity	143.8 L
Auxiliary Power	12V DC

Tyres

Standard	Foam Filled Non-marking
----------	-------------------------

Standard Features

- Generator incl Outlet to Platform and ELCB
- 1.24 m Articulating Jib
- 355 Degree Non-Continuous Swing
- Platform 0.76 x 1.83 m Side Entry self closing self locking gate
- 180 Degree Hydraulic Platform Rotator
- Platform Console Machine Status Light Panel*
- 5 Degree Tilt Alarm/Indicator Light
- Flashing Amber Beacon
- Swing-Out Engine Tray
- Gull-Wing Steel Turntable Hoods
- 12V-DC Auxiliary Power
- Hourmeter
- Interactive Display at Ground Controls
- Proportional Controls
- Control ADE® System
- Lifting/Tie Down Lugs
- Horn
- Oscillating Axle
- Cast Aluminum Control Box
- Reduced Time to Full Height
- Motion Alarm

* Provides indicator lights at platform control console for system distress, low fuel, 5 degree tilt light, and foot switch status.



Accessories & Options

- 0.76 x 1.25 m Platform
- Mesh to Mid Rail
- 1/2 in. Air Line to Platform
- SkyGuard®
- Squawker / White Noise Motion Alarm
- Chassis Illumination Lights
- Platform Worklights
- Hostile Environment Kit
- Special Hydraulic Oils
- Pipe Racks
- Cable Ladder Carrier

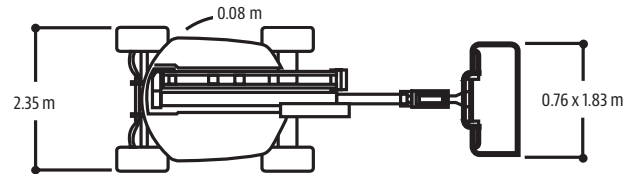
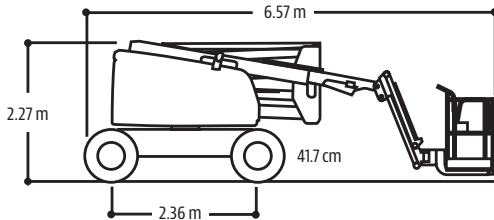
450AJ

ARTICULATING BOOM LIFT



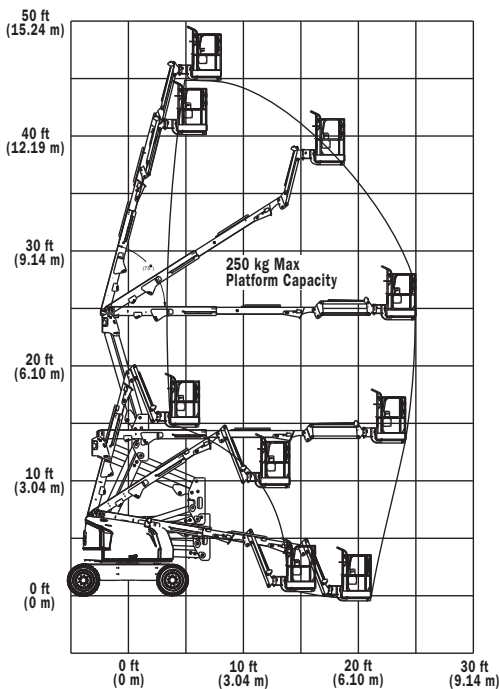
Dimensions

All dimensions are approximate.



Reach Diagram

450AJ



The JLG "1 & 5" Warranty

JLG Industries, Inc. backs its products with its exclusive "1 & 5" Warranty. We provide coverage on all products for one (1) full year and cover all specified major structural components for five (5) years. Due to continuous product improvements, we reserve the right to make specification and/or equipment changes without prior notification. This machine meets or exceeds AS/NZS 1418.10 2011 as originally manufactured for intended applications.



JLG Industries (Australia)

358 Park Road
Regents Park, NSW 2143
Telephone 02 8718 6300
Fax 02 8718 6377

www.jlg.com.au

An Oshkosh Corporation Company